

# CHANNELL PITS

- GRADE LEVEL BOX BULK-3 WITH SHIELD™ COVERS

## TECHNICAL SPECIFICATIONS



Grade Level Box BULK ③



Now with  Covers

### FEATURES

- Upgradeable
- Lightweight/Strong (TIER 22)
- Patented Anti-Slip Technology
- Anti-Seize Bolt Technology
- Industry Leader in Anti-Trip Hazard Prevention
- Superior Fatigue Resistance (EST)™
- Vertical and Horizontal Rib Design
- Embedded Vertical Racking
- Reduced Installation Cost
- Highest Load Rating to Weight Ratio in the Industry

### TESTING CRITERIA

#### Covers meet or exceed:

- EST™ 3 Million Cycles
- Telecordia GR-902-CORE
- Western Underground Committee Guide 3.6
- ANSI/SCTE 77 2013-TIER 22
- EN124 Class B125

#### Bodies meet or exceed:

- Telecordia GR-902-CORE
- Western Underground Committee Guide 3.6
- ANSI/SCTE 77 2013-TIER 22
- EN 124 Class B125/C250
- ASTM-457
- AASHTO M-306 (H-20/25)
- AS3996-Class B/C



**CHANNELL**

## BULK ③ SERIES - PRODUCT SUMMARY

With over 90 years experience in global (OSP) infrastructure, Channell has developed the most advanced pit and chamber technology in the world! Channell's BULK and SHIELD patented designs with the complement of SUPER BULK for roadway applications offer global users, consumer, and craft installers safety benefits never before contemplated, but critical when considering new global health and safety standards.

BULK's lightweight design increases installation efficiencies while improving overall body weight carrying load capacities versus concrete, polymer concrete, and many other body materials. Reduction of BULK's body weight protects the safety of installers while shortening installation times. Additionally, with BULK bodies, cutting ducts in the field produces no harmful dust contaminants which could lead to installer respiratory issues.

All SHIELD covers meet or exceed 33,750 pound-force or 150 kilonewtons in strength. They never break and offer a lid weight reduction over concrete and polymer concrete of 50%, and over 70% when compared to cast iron. SHIELD's lighter weight design

cover reduces craft injuries while improving health and safety specifications.

Consumers also benefit from SHIELD's patented anti-slip design and anti-trip features. SHIELD's cover tread design raises global industry standards by offering 20% greater slip resistance when compared to concrete, polymer concrete, steel or cast iron covers. SHIELD meets and exceeds Australia AS4586 skid specification, the highest global standard in the world!

Overall, BULK's strength in combination with Channell's SHIELD covers offers a universal solution to meet and exceed every company's needs. Safety always comes first, and that's why BULK and SHIELD are tested to the highest standards available in the global market and Channell is proud to have pioneered Endurance Stress Testing (EST™) which analyzes cover fatigue in the field. EST™ provides essential data on the life expectancy of a SHIELD lid in the field and confirms its potential life expectancy. Product design, product innovation, safety attributes, and new manufacturing technology is why global customers are specifying Channell's BULK and SHIELD products for their new OSP infrastructure requirements.



# BULK ③ SERIES

## - STANDARD & OPTIONAL FEATURES

### STANDARD FEATURES



Anti-Slip  
Tread Design



Anti-Trip Cover



Recessed Lifting  
Pin with Cover



Non-Seizing Bolt  
System Allows  
Field Replacement



Flush Mounted  
Sidewall Racks  
Increase Usable  
Space



Mounting Studs



Logo Puck  
(Custom Options Available)



Winterized Cable  
Drop Side



### OPTIONAL FEATURES



L-Bolt Security  
System (SHIELD  
Cover Shown)



Marker Locator  
Device



Swing-Arm with  
Butterfly Mounting  
Plate



Cable Hook Bracket



Step Bracket  
with Wedge

# BULK ③ SERIES

## - THE NEW SOLUTION

Split and Pedestal Mount Available

**3 COVERS**

Composite Ring Optional

**1 BODY**



- HDPE Plastic Cover**  
Light Duty 3,000 lbf (13.5 kN)
- Composite Cover**  
33,750 lbf (150 kN)
- Ductile Iron Cover with Steel Ring**  
56,200 lbf (250 kN)
- BULK Vault Body**  
60,000 lbf (267 kN)

SPECIFICATION	PROOF LOAD	PRODUCTS
<b>AMERICAS</b>	<b>STANDARDS</b>	
Pedestrian/Light Duty	3,000 lbf (13.5 kN)	
ANSI/SCTE 77 TIER 15	22,500 lbf (100 kN)	
ANSI/SCTE 77 TIER 22	33,750 lbf (150 kN)	
AASHTO M-306-10 H 20	40,000 lbf (178 kN)	
AASHTO M-306-10 H 25	50,000 lbf (222.4 kN)	
ASTM-457	46,000 lbf (205 kN)	
<b>EMEA</b>	<b>STANDARDS</b>	
Pedestrian/Light Duty	2,250 lbf (10 kN)	
EN 124 Class B125	28,100 lbf (125 kN)	
EN 125 Class C125	56,200 lbf (250 kN)	
<b>APAC</b>	<b>STANDARDS</b>	
Pedestrian/Light Duty	3,370 lbf (15 kN)	
AS3996-Class B	18,000 lbf (80 kN)	
AS3996-Class C	33,750 lbf (150 kN)	

## BULK ③ SERIES

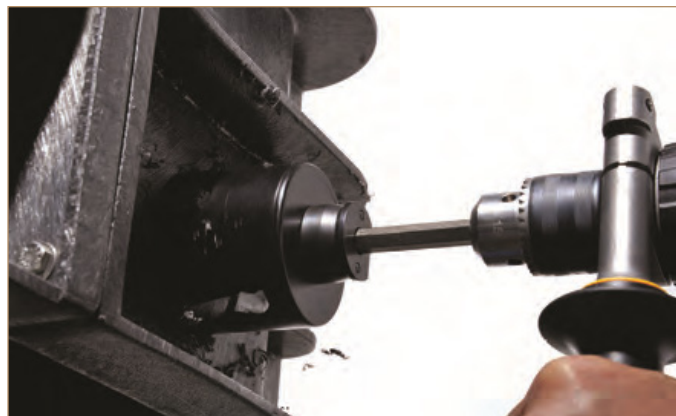
### - BODY DESIGN



Straight wall design improves lid load strength.

Flush mounted racks enhance sidewall and vertical strength of pit while increasing usable space.

Ribbed sidewall design secures body into backfill soil and eliminates sidewall deflection.



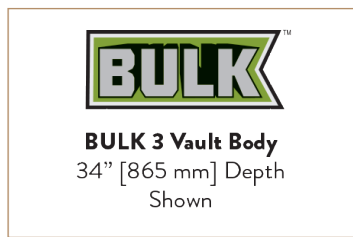
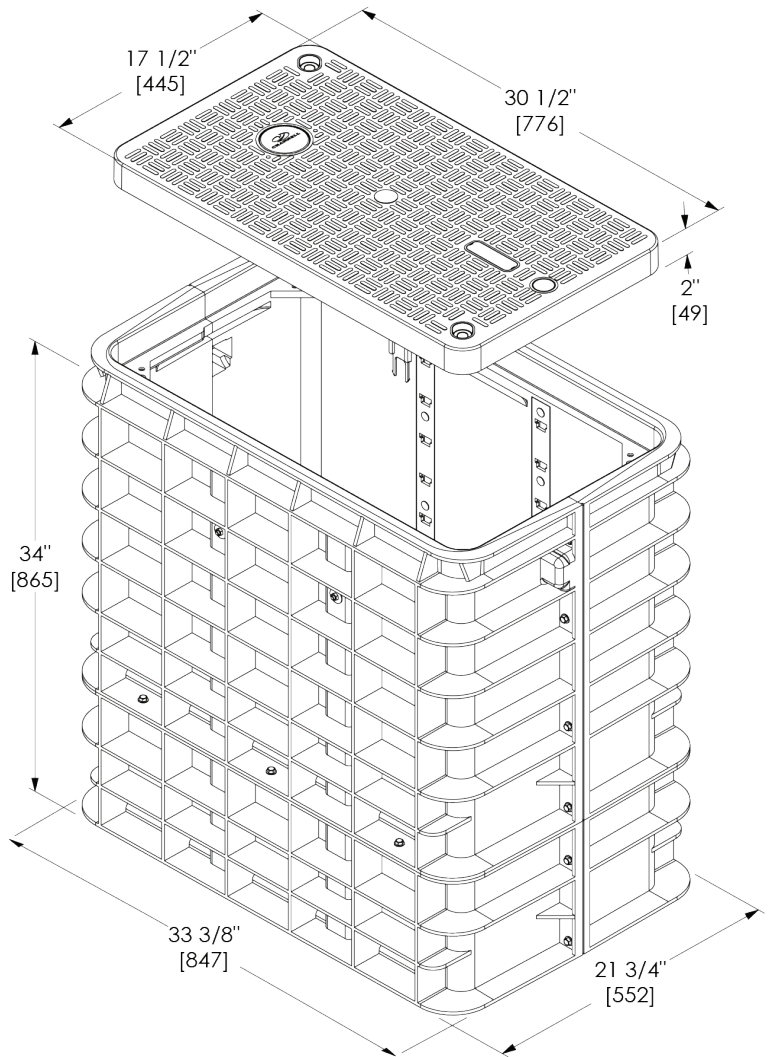
HDPE bodies provide easy field alteration while eliminating water absorption and material degradation while maintaining structural integrity, and eliminating toxic fiberglass dust.

# BULK ③ SERIES

## - BODY SPECIFICATIONS

### BODY SPECIFICATIONS

<b>Cover Weight</b>	26 lbs	[12 kg]
<b>Pit Weight</b>	63 lbs	[29 kg]
<b>Assembled Weight</b>	89 lbs	[41 kg]



### ADDITIONAL BODY DEPTHS

### ADDITIONAL BODY DEPTHS

